

PROCEDURE REF# A-INL-017

Hybrid-X: Adjusting the height of the trigger (round position)

It is important to do the adjustment when the automatic system is at his home position (neutral). The distance between the top of the trigger and the deep bottom of the table must be $2 \frac{7}{16}$ inches.

To adjust this trigger, it's the same for the IFX, NWX and the NWS. See [A-INL-016 Adjusting the height of the trigger.](#)

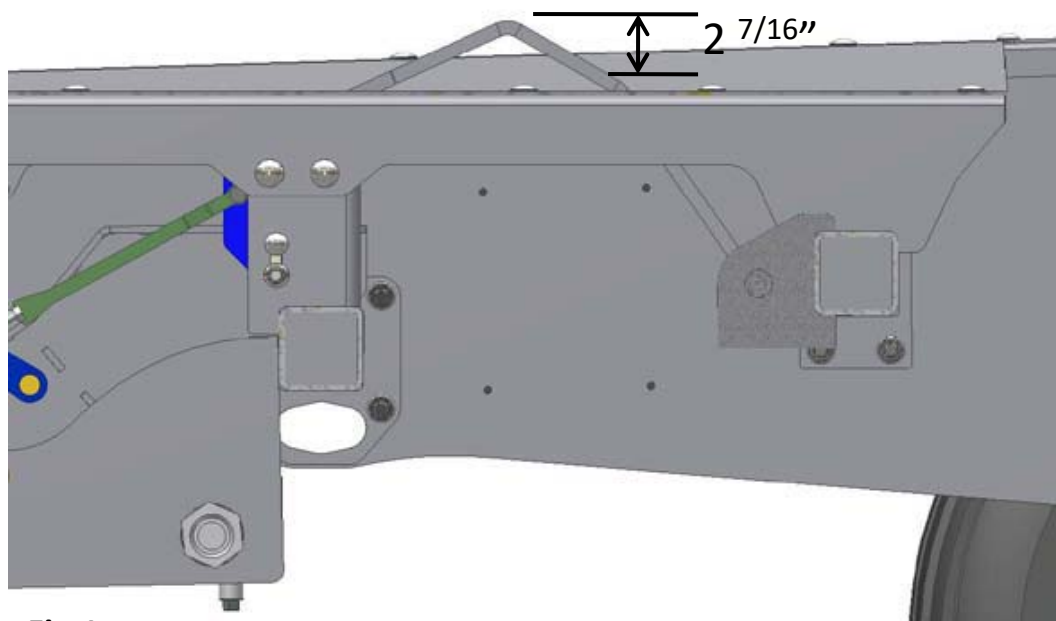


Fig.1